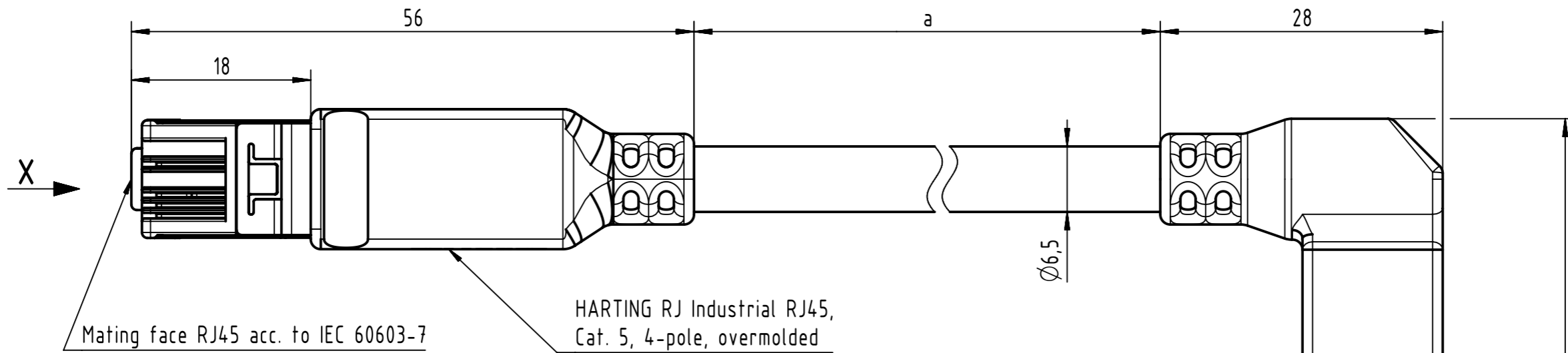


Connector Location A

Connector Location B

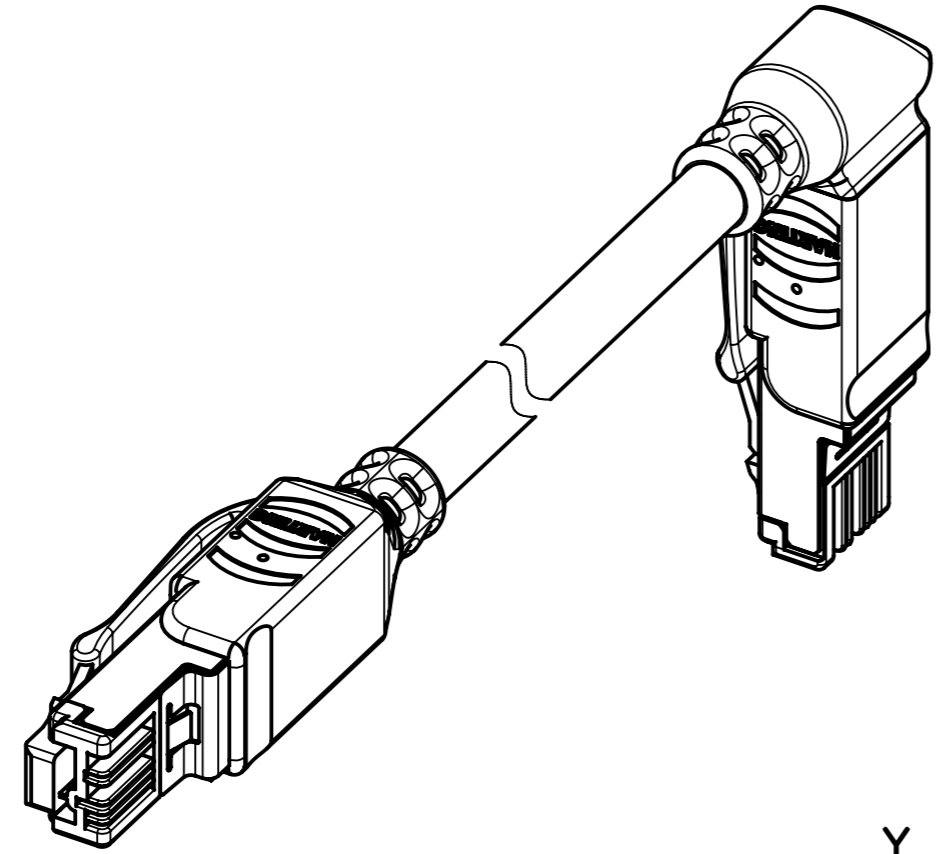


Mating face RJ45 acc. to IEC 60603-7

HARTING RJ Industrial RJ45, Cat. 5, 4-pole, overmolded

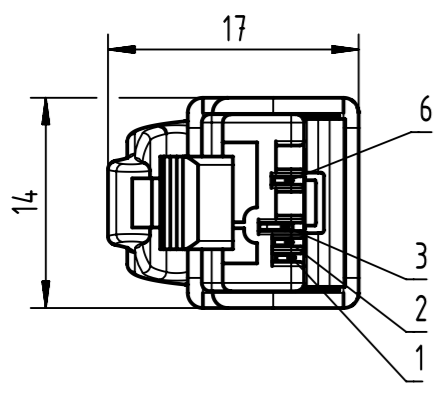
HARTING RJ Industrial RJ45, Cat. 5, 4-pole, angled overmolded, 180° position

Mating face RJ45 acc. to IEC 60603-7

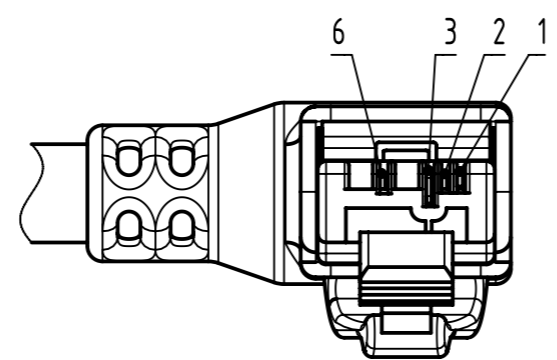
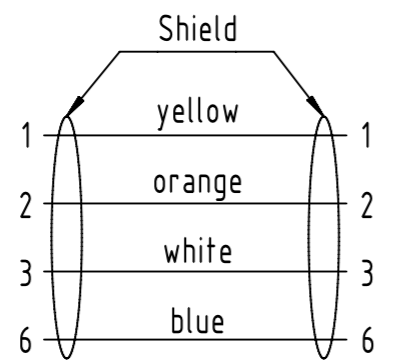


X male

Y male



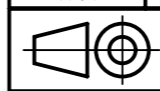
Loading Plan




- Protection level: IP20
- Temperature range: -40°C ... +70°C

All rights reserved Department HCS - RO HARTING Customised Solutions D-32339 Espelkamp		Tech. Character. Created by 402676 Gross Inspected by COSTEA Costea Standardisation MUNTEANV Muntean Date 2022-06-07 State Final Release	Free size tol. According to production drawing	Doc-Key / ECM-Nr. 100155365/UGD/004/J 500000218973 Rev. J Page 1/3
Title RJ Industrial Cable Assembly Type TB Number 09470502XXX				

1	2	3	4	5	6	7	8
<p>HAR PROFINET Typ B 4xAWG 22/7 PVC green</p>				100			
				90			
				80			
				70			
				60			
				50			
				40			
				30			
				20			
				15			
				10			
				9			
				8			
				7			
				6			
				5			
				4			
				3			
				2			
				1.5			
				1.2			
1							
0.8							
0.5							
<p>HAR PROFINET Typ A 4xAWG 22/1 PVC green</p>				100			
				90			
				80			
				70			
				60			
				50			
				40			
				30			
				20			
				15			
				10			
				9			
				8			
				7			
				6			
				5			
				4			
				3			
				2			
				1.5			
				1			
0.5							
Cont. no.	Part no.	Type of cable		Dim. a[m]			
46	09470502044			100			
45	09470502043			90			
44	09470502042			80			
43	09470502041			70			
42	09470502040			60			
41	09470502039			50			
40	09470502038			40			
39	09470502037			30			
38	09470502036			20			
37	09470502035			15			
36	09470502034			10			
35	09470502033			9			
34	09470502032			8			
33	09470502031			7			
32	09470502030			6			
31	09470502029			5			
30	09470502028			4			
29	09470502027			3			
28	09470502026			2			
27	09470502025			1.5			
26	09470502100			1.2			
25	09470502024			1			
24	09470502091			0.8			
23	09470502023			0.5			
22	09470502022			100			
21	09470502021			90			
20	09470502020			80			
19	09470502019			70			
18	09470502018			60			
17	09470502017			50			
16	09470502016			40			
15	09470502015			30			
14	09470502014			20			
13	09470502013			15			
12	09470502012			10			
11	09470502011			9			
10	09470502010			8			
9	09470502009			7			
8	09470502008			6			
7	09470502007			5			
6	09470502006			4			
5	09470502005			3			
4	09470502004			2			
3	09470502003			1.5			
2	09470502002			1			
1	09470502001			0.5			
Cont. no.	Part no.	Type of cable		Dim. a[m]			
78	09470502066			100			
77	09470502065			90			
76	09470502064			80			
75	09470502063			70			
74	09470502062			60			
73	09470502061			50			
72	09470502060			40			
71	09470502059			30			
70	09470502058			20			
69	09470502057			15			
68	09470502089			13			
67	09470502090			12			
66	09470502056			10			
65	09470502055			9			
64	09470502054			8			
63	09470502053			7			
62	09470502099			6.2			
61	09470502052			6			
60	09470502051			5			
59	09470502050			4			
58	09470502049			3			
57	09470502095			2.4			
56	09470502094			2.2			
55	09470502048			2			
54	09470502093			1.8			
53	09470502092			1.6			
52	09470502047			1.5			
51	09470502098			1.45			
50	09470502096			1.4			
49	09470502097			1.25			
48	09470502046			1			
47	09470502045			0.5			
Cont. no.	Part no.	Type of cable		Dim. a[m]			
<p>HAR PROFINET Typ C 4xAWG 22/7 PUR Trail. green</p>				100			
				90			
80							
70							
60							
50							
40							
30							
20							
15							
13							
12							
10							
9							
8							
7							
6.2							
6							
5							
4							
3							
2.4							
2.2							
2							
1.8							
1.6							
1.5							
1.45							
1.4							
1.25							
1							
0.5							
Cont. no.	Part no.	Type of cable		Dim. a[m]			

	All rights reserved Department HCS - RO	Created by 402676 Gross	Inspected by COSTEA Costea	Standardisation MUNTEANV Muntean	Date 2022-06-07	State Final Release	According to production drawing
HARTING Customised Solutions D-32339 Espelkamp		Title RJ Industrial Cable Assembly			Doc-Key / ECM-Nr. 100155365/UGD/004/J 500000218973		Rev. J
		Type TB	Number 09470502XXX				Page 2/3

1	2	3	4	5	6	7	8	
A								A
B								B
C								C
D	100	09470502088	HAR PROFINET Typ B 4xAWG 22/7 PVC outdoor black	100				D
	99	09470502087		90				
	98	09470502086		80				
	97	09470502085		70				
	96	09470502084		60				
	95	09470502083		50				
	94	09470502082		40				
	93	09470502081		30				
	92	09470502080		20				
	91	09470502079		15				
	90	09470502078		10				
	89	09470502077		9				
	88	09470502076		8				
	87	09470502075		7				
	86	09470502074		6				
	85	09470502073		5				
	84	09470502072		4				
	83	09470502071		3				
	82	09470502070		2				
	81	09470502069		1.5				
	80	09470502068	1					
	79	09470502067	0.5					
E							E	
F	Cont. no.	Part no.	Type of cable	Dim a[m]				F
	1	2	3	4	5	6	8	

	All rights reserved Department HCS - RO	Created by 402676 Gross	Inspected by COSTEA Costea	Standardisation MUNTEANV Muntean	Date 2022-06-07	State Final Release	Doc-Key / ECM-Nr. 100155365/UGD/004/J 500000218973
HARTING Customised Solutions D-32339 Espelkamp		Title RJ Industrial Cable Assembly		Type TB	Number 09470502XXX	Rev. J	Page 3/3